

# Compact Tractor Skeleton Grapple



## Features

- Made with GR 50 Steel
- Greasable Grapple Pivot Pins and Cylinder Pins
- Nylon Hose Guard on all Hydraulic Hoses
- Hydraulic Hose 4500 PSI
- Optional Hydraulic Cylinder Guards
- Large 34" Grapple Opening
- Other mounts available



**For compact tractors  
from 25 to 40 Horse Power**

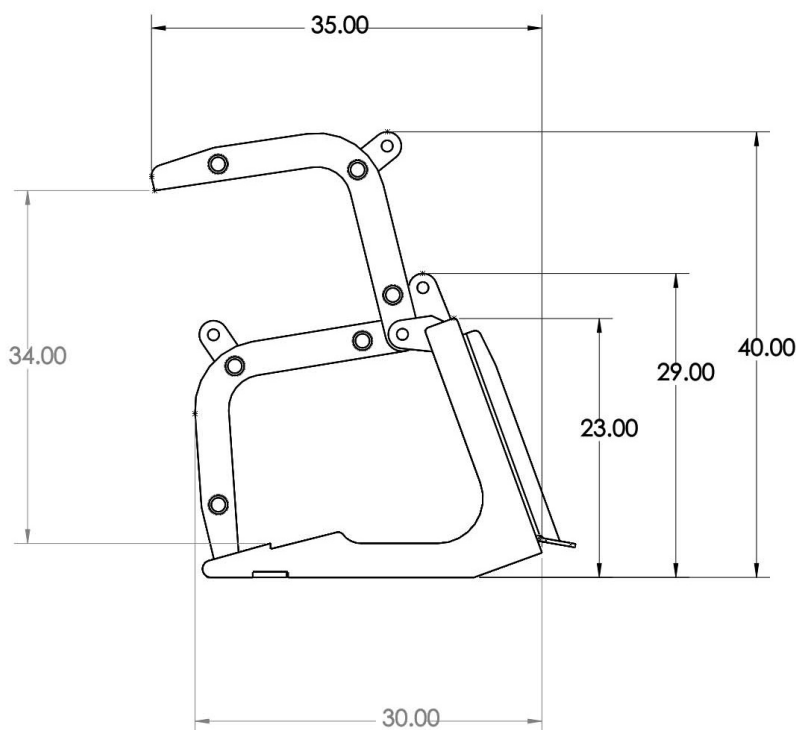


**Compact Tractor Skeleton Grapple**

# Specifications

## For Tractors with 25 to 40 Horse Power

Model	CTSG48	CTSG54	CTSG60	CTSG66	CTSG72
Overall Width	48-1/2"	54-1/2"	60-1/2"	66-1/2"	72-1/2"
Depth of Bucket	30"	30"	30"	30"	30"
Height of Bucket Back	23"	23"	23"	23"	23"
Height with Grapple Closed	29"	29"	29"	29"	29"
Height With Grapple Open	40"	40"	40"	40"	40"
Side Plate Thickness	3/8"	3/8"	3/8"	3/8"	3/8"
Tine Thickness	1/4"	1/4"	1/4"	1/4"	1/4"
Tine Spacing	6"	6"	6"	6"	6"
Grapple Style	Single	Single	Single	Double	Double
Grapple Width Each	36"	36"	36"	18-1/2"	18-1/2"
Grapple Opening	34"	34"	34"	34"	34"
Approx. Weight	295 lbs	325 lbs	350 lbs	380 lbs	410 lbs
<b>Hydraulic Cylinder Spec's</b>					
Bore	2"	2"	2"	2"	2"
Stroke	6"	6"	6"	6"	6"
Cylinder Pins & Hinge Pins	1"	1"	1"	1"	1"
<b>Optional</b>					
Bolt on Cylinder Guard	Yes	Yes	Yes	Yes	Yes



Your TMW Dealer



Thielen Machine & Welding  
**TMW**

**Attachments**  
 320-453-3525

522 Meeker Ave. E. • Eden Valley, MN 55329