

# Compact Rod Grapple



## Features



- Digging
- Rock Picking
- Asphalt Removal
- Small Tree Removal
- Brush Removal
- Nylon Hose Guard on all Hydraulic Hoses
- Large 34" Grapple Opening

**For Mini Skid Steer Loaders &  
Compact Tractors up to 40 Horse Power**



**Compact Rod Grapple**

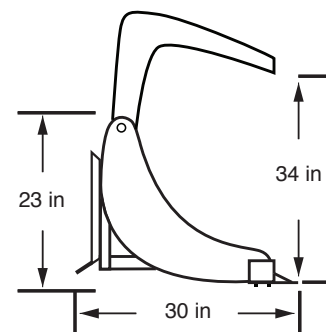
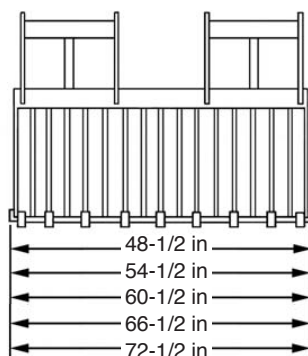
# Specifications

## For Mini Skid Steer Loaders & Tractors up to 40 Horse Power

Model	CRG48	CRG54	CRG60	CRG66	CRG72
Overall Width	48-1/2"	54-1/2"	60-1/2"	66-1/2"	72-1/2"
Depth of Bucket	30"	30"	30"	30"	30"
Height of Bucket Back	23"	23"	23"	23"	23"
Height with Grapple Closed	29"	29"	29"	29"	29"
Height With Grapple Open	40"	40"	40"	40"	40"
Side Plate Thickness	3/8"	3/8"	3/8"	3/8"	3/8"
Cutting Edge	3/4" x 4"	3/4" x 4"	3/4" x 4"	3/4" x 4"	3/4" x 4"
Rod Diameter	3/4"	3/4"	3/4"	3/4"	3/4"
Rod Spacing Approx.	3"	3"	3"	3"	3"
Cast Shank Tooth	6	7	8	9	10
With Replacable Tip					
Grapple Style	Single	Single	Single	Double	Double
Grapple Width Each	36"	36"	36"	18-1/2"	18-1/2"
Grapple Opening	34"	34"	34"	34"	34"
Approx. Weight					
<b>Cylinder Spec's</b>					
Bore	2"	2"	2"	2"	2"
Stroke	6"	6"	6"	6"	6"
Cylinder Pins & Hinge Pins	1"	1"	1"	1"	1"
Hyd Hose 4500 PSI					
<b>Optional</b>					
Bolt on Cylinder Guard	No	No	No	Yes	Yes

- Designed to be used on Compact Skid Steer Loaders & Compact Tractors up to 40 Horse Power
- Specifications and designs are subject to change without notice.

Your TMW Dealer



Thielen Machine & Welding  
**TMW**

**Attachments**  
 320-453-3525

522 Meeker Ave. E. • Eden Valley, MN 55329