

Pallet Fork



Skid Loader Attachments

- **5000 lbs. and 6000 lbs. Capacity Models Available**
- **48" wide Brick Guard**
- **Tine width Adjustable from 8" to 47"**
- **Fork Tines are Flush with front of Brick Guard for better load support**
- **Heavy Duty top and bottom Rails**
- **Tine Length 42" or 48"**
- **5000# Tine are 4" Wide and 1-1/2" Thick**
- **6000# Tine are 4" wide and 1-3/4" Thick**
- **Other Mounts Available**



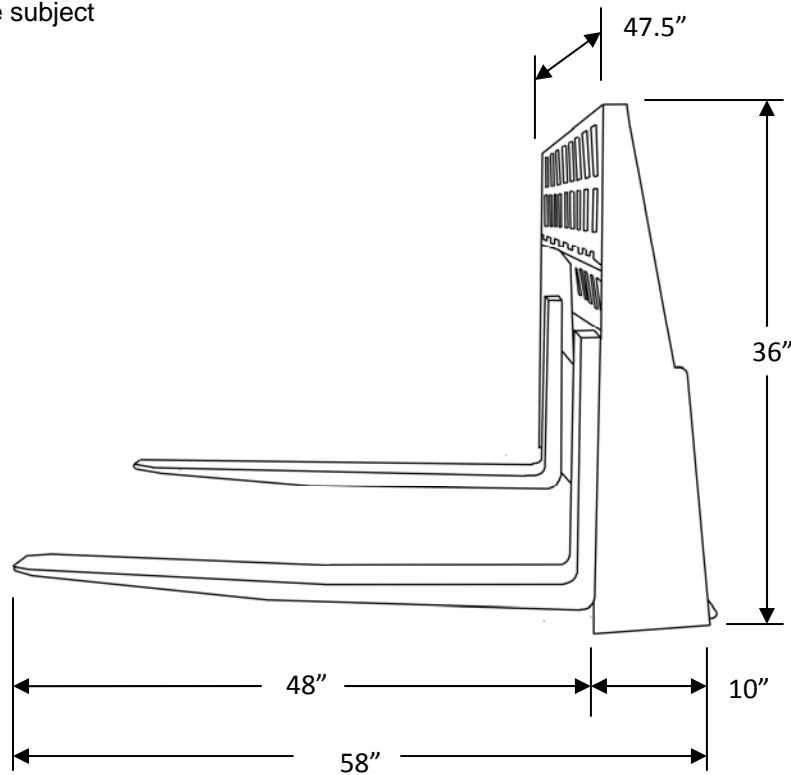
www.tmwattachments.com



Pallet Fork Specifications

Model	PF542	PF548	PF648	PF648AG
Fork Length	42"	48"	48"	48"
Overall Length	52"	58"	58"	58"
Width	48"	48"	48"	48"
Height	36"			
Tine Thickness	1-1/2"	1-1/2"	1-3/4"	1-3/4"
Tine Width	4"	4"	4"	4"
Weight	375 lbs	385 lbs	420 lbs	435 lbs
Load Rating	5500 lbs/pair at 24"		6200 lbs/pair at 24"	
Quick Tach Mount Style Other mounts available upon request	Skid Steer	Skid Steer	Skid Steer	Global

Designed to be used on skid steer loaders with 1300 lb or more lifting capacity. Specifications and designs are subject to change without notice.



Your TMW Dealer



522 Meeker Avenue • East Eden Valley, MN 55329
www.tmwattachments.com

