

Tree Puller



Skid Loader Attachments

Features and Options



- Pulls Trees up 8" Diameter
- Maximum Jaw Opening 12"
- Open Mount Plate for good Visibility of Jaw
- Brush Guard Keeps Brush away from skid Steer or Tractor
- Pulls Small Trees and post Quickly
- Guard protects Hydraulic Cylinder and hose fittings
- Spring Loaded Hose Guide keeps hoses from getting into Tires or Tracks
- Jaw Teeth 3/4" Thick T-1 Steel
- Jaw Thickness designed to Grab Tree and Reduce Shearing
- Greaseable Pivot Shaft

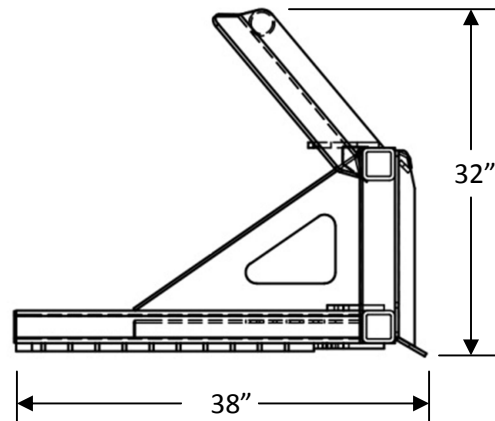
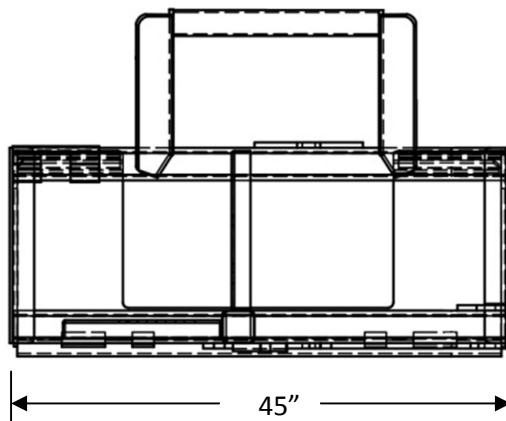
www.tmwattachments.com



Tree Puller Specifications

Model	TP-08
Hydraulic Cylinder	3000 lb
Stroke	8"
Cylinder Rod Diameter	1-1/8"
Max Tree Diameter	8"
Max Opening	12"
Overall Length	38"
Overall Width	45"
Overall Height	32"
Jaw Teeth	3/4" Thick T-1 Steel
Weight	420 lbs
Options	
Factory Installed hydraulic Couplers	

Designed to be used on skid steer loaders with 1300 lb or more lifting capacity.
Specifications and designs are subject to change without notice.



Your TMW Dealer



522 Meeker Avenue • East Eden Valley, MN 55329
www.tmwattachments.com



© 2012 TMW