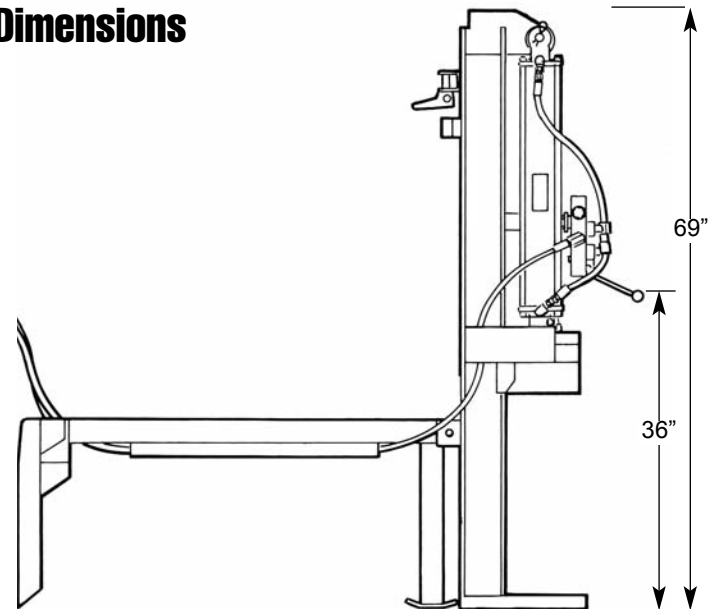
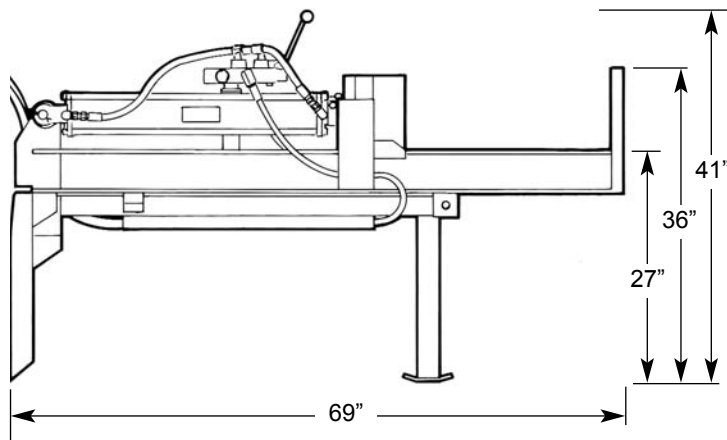


# Wood Splitter Specifications

Dimensions	
Overall Length	69"
Height in Horizontal Position	41"
Height in Vertical Position	69"
Weight of Attachment	475 lb
Cylinder Specifications	
Bore	4"
Stroke	24"
Rod Diameter	1.25"
Options	
Splitting Horizontal / Vertical	

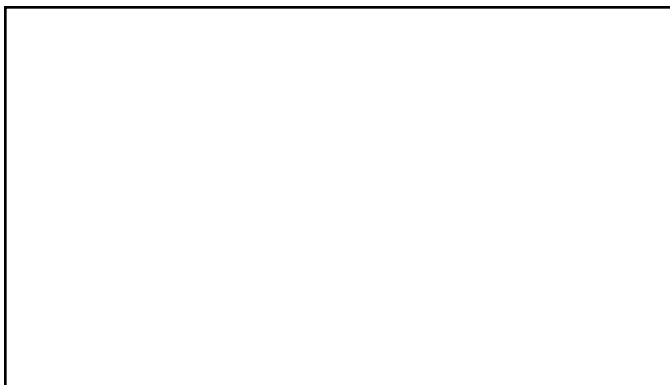
Power Rating
2000 PSI - 13 Ton
2500 PSI - 16 Ton
3000 PSI - 20 Ton

## Wood Splitter Dimensions



- Designed to be used on skid steer loaders with 1300 lb or more lifting capacity.
- Specifications and designs are subject to change without notice.

Your **TMW Dealer**



Thielen Machine & Welding  
**TMW**  
**Attachments**  
 320-453-3525

522 Meeker Ave. E. • Eden Valley, MN 55329